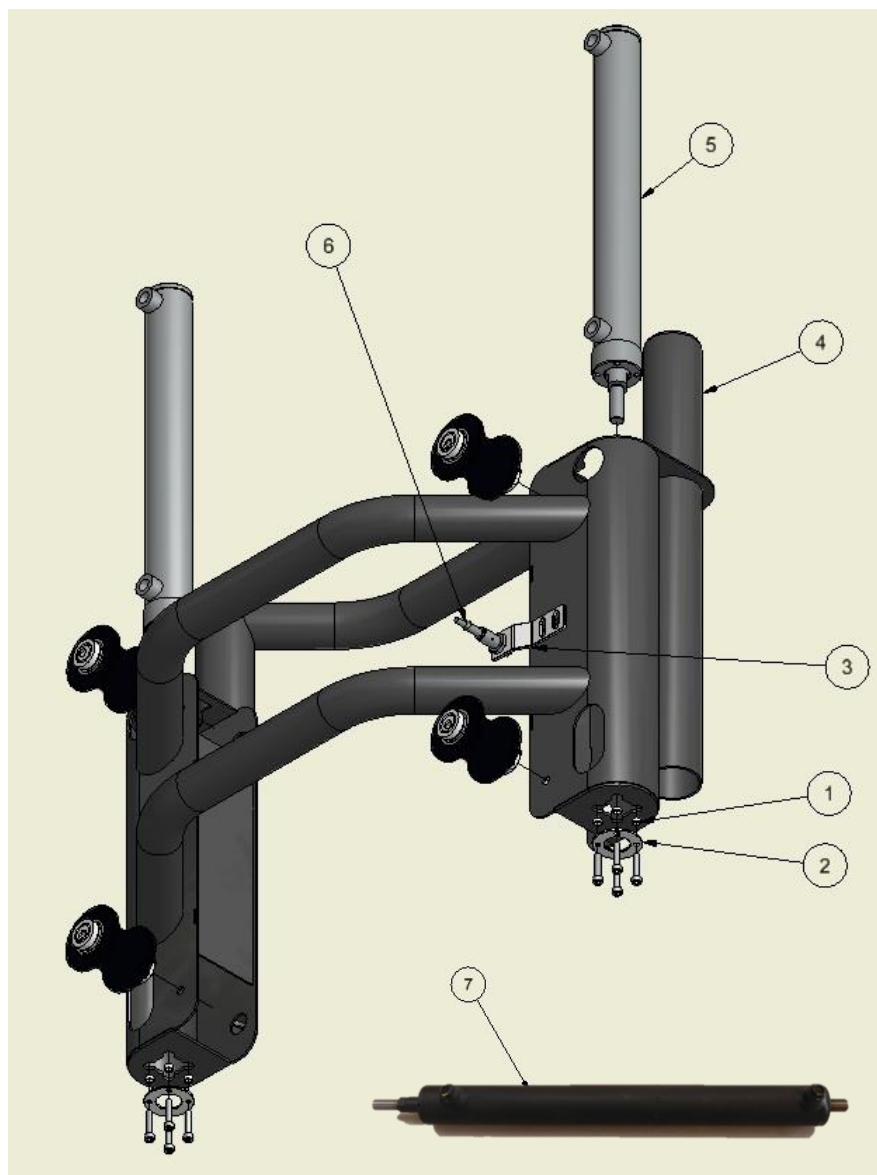


SPARE PARTS CATALOGUE WINTEX 3000

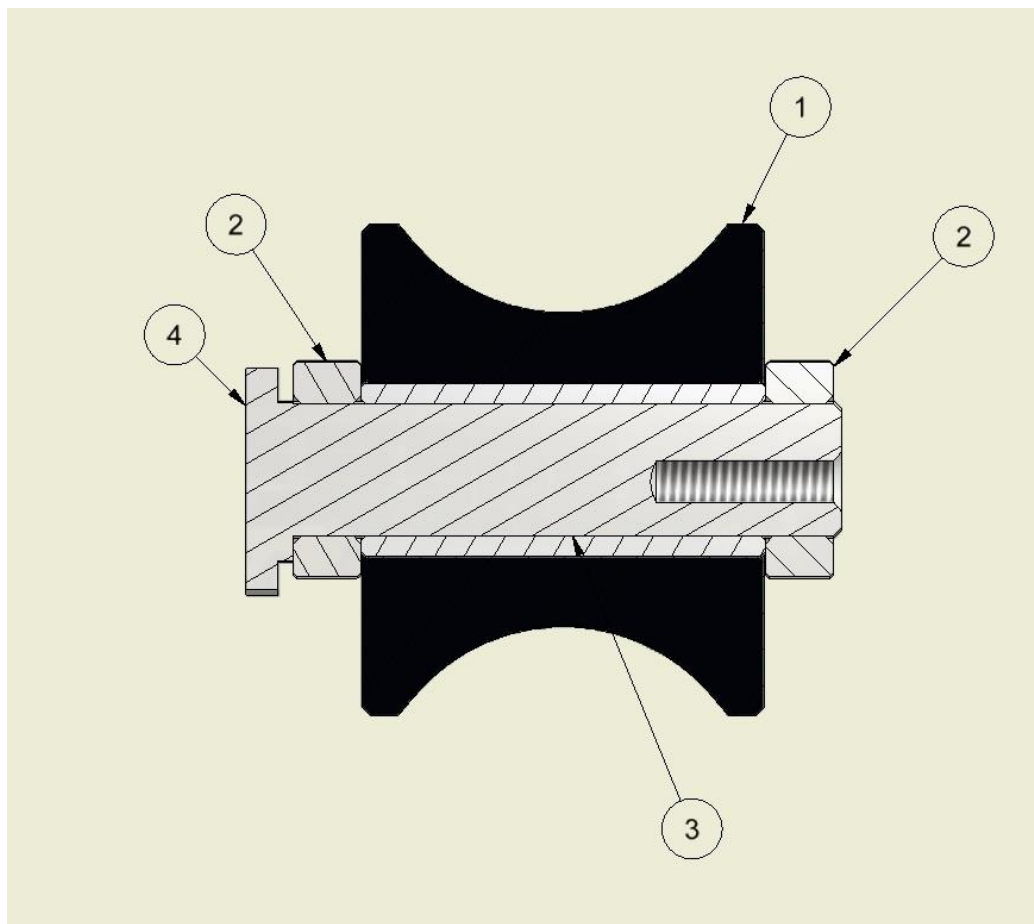


FIXED FRAME



PART NO.	ART. NO.	DESCRIPTION
1	50101015	Spacer ring f. Jack cylinder
2	50101016	Cylinder washer
3	50101017	Sensor fitting
4	50101018	Fixed frame
5	50101020	Jack cylinder V12
	50101232	Jack cylinder V12 + 10 cm
6	50101021	Sensor
7	19101123	Hammer cylinder

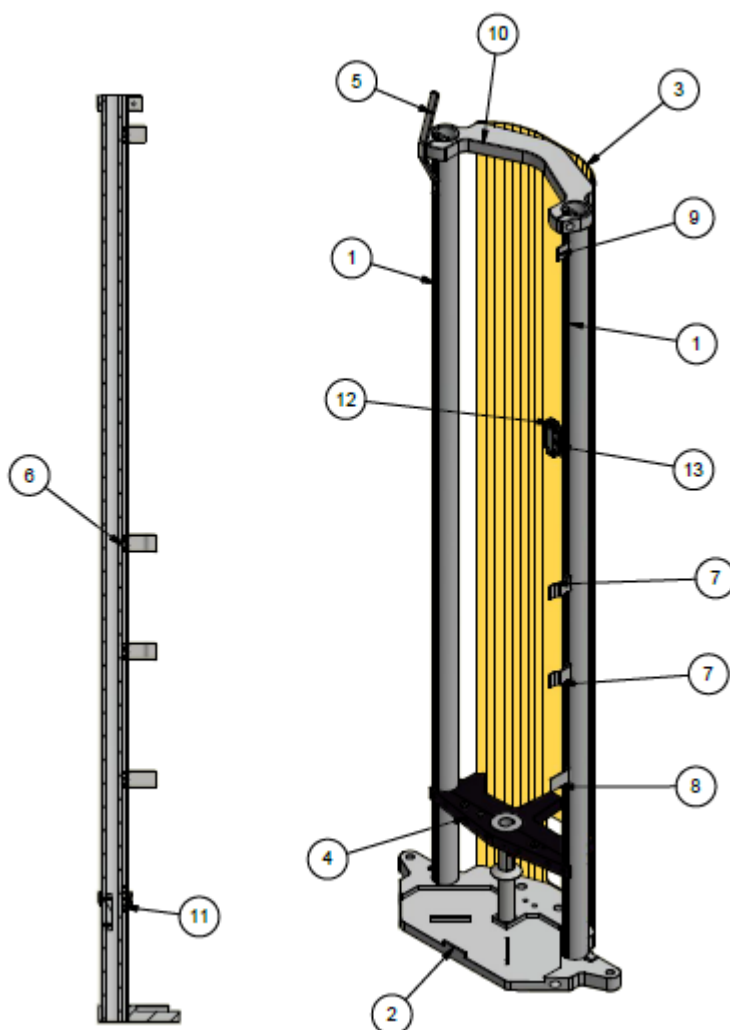
GUIDING ROLL



PART NO.	ART. NO.	DESCRIPTION
1	50101038	Guiding roll
2	50101063	Spacer ring guiding roll
3	50101064	Bushing f. guiding roll
4	50101065	Eccentric bolt



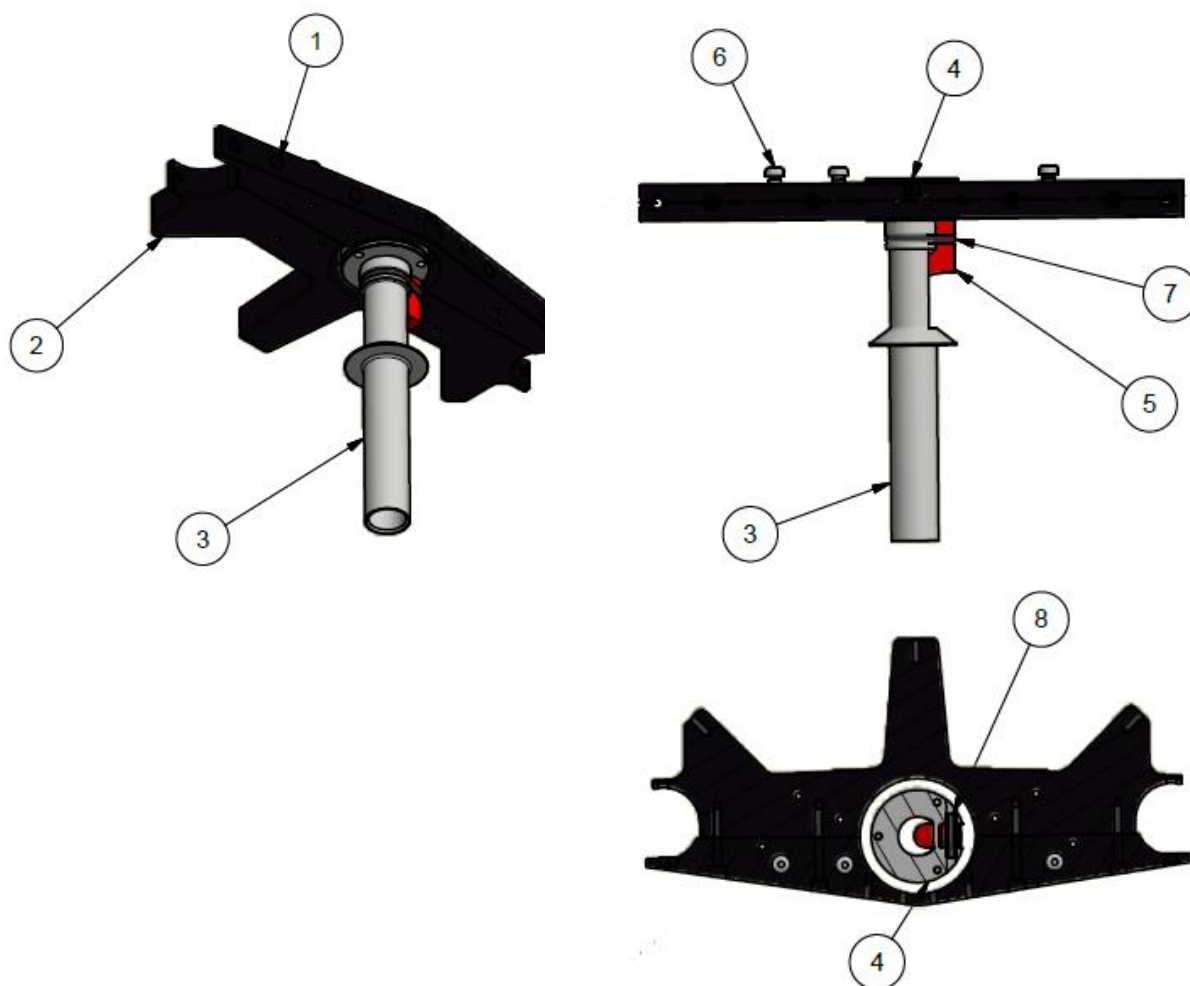
LOWERING FRAME



PART NO.	ART. NO.	DESCRIPTION
1	19101022	Guiding pipe
2	19101023	Bottom plate
3	19101000	Outer cover
4	50101025	Retainer f. scraper unit
5	50101026	Hose guide
6	50101027	Retaining plate M6-C16
7	50101028	Sensorplate middle
8	50101029	Sensorplate bottom
9	50101030	Sensorplate top
10	19101024	Top plate
11	50101032	Key 3xM6
12	50101033	Chain fitting
13	50101174	Plate w. thread f. chain fitting



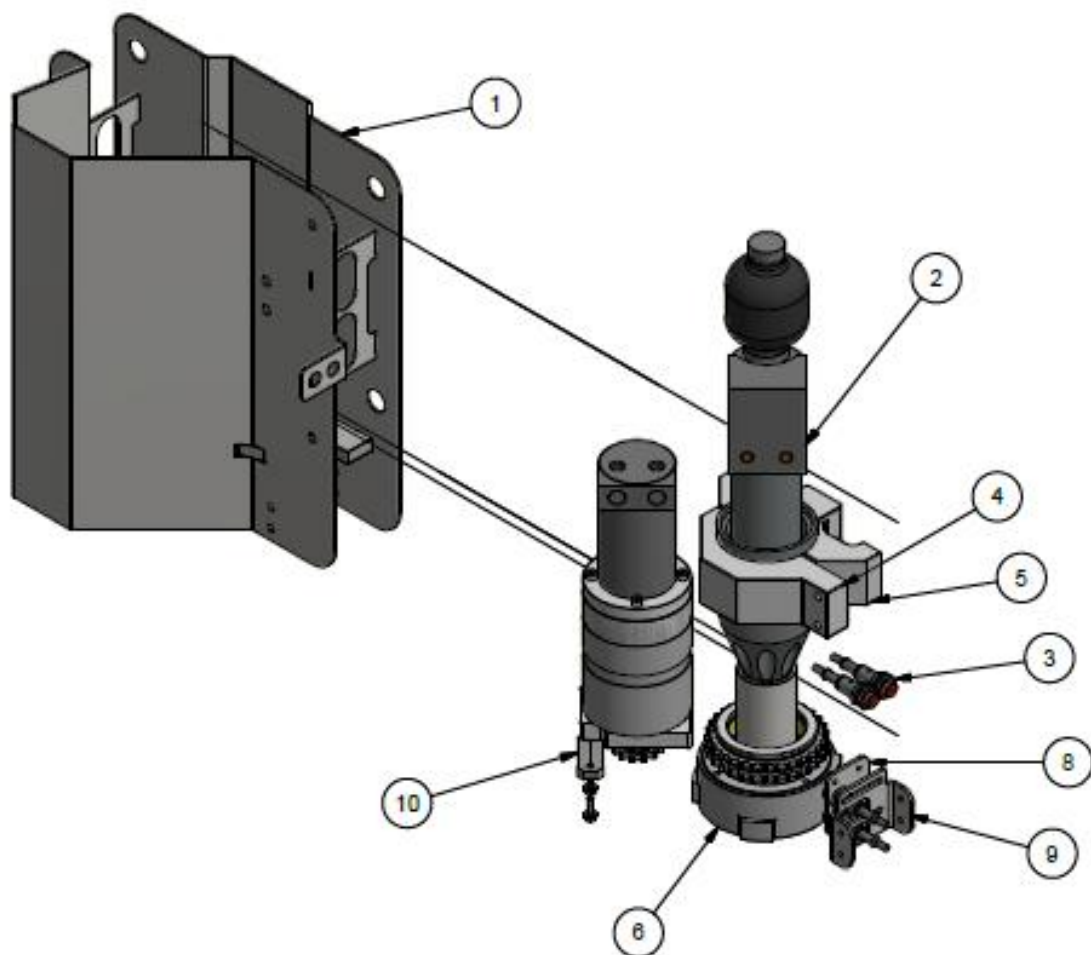
SCRAPER UNIT



PART NO.	ART. NO.	DESCRIPTION
1	50101035	Retainer f. scraper unit, back
2	19101036	Retainer f. scraper unit, towards outer cover
3	50101034-26	Guiding pipe f. 26 mm probe
4	50101005-26	Revolving platform f. 26 mm probe
5	50101003-1,5	Scraper f. 26 mm probe, 1.5+2.0 g
	50101003-2,0	Scraper f. 26 mm probe, 2.5 g
6	60101037	Fitted bolt, M8x12 mm
7	50101004	O-ring f. scraper
-	50101039	Spring roll pin, 8x30 mm



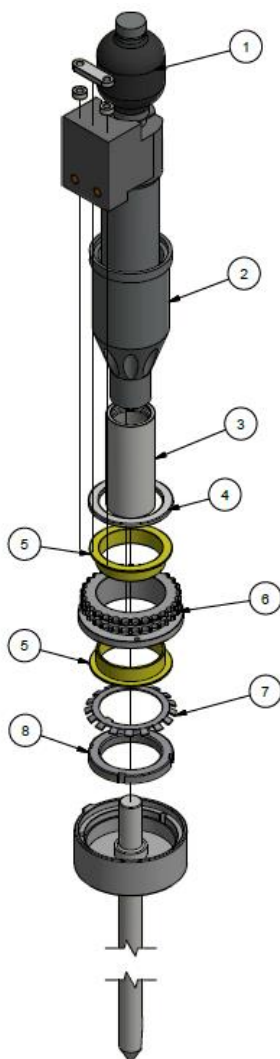
HAMMER CARRIAGE



PART NO.	ART. NO.	DESCRIPTION
1	50101052	Hammer carriage
2	50101055	Hydraulic hammer
3	50101021	Sensor
4	50101050	Hammer fitting A
5	50101051	Hammer fitting B
6	19101002	Rotary sensor plate f. 26 mm probe
8	50101124	Adjusting plate f. sensor
9	50101135	Sensor retainer
10	50101173	Chain tensioner



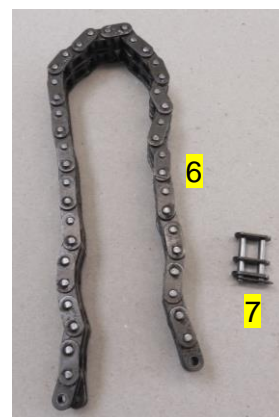
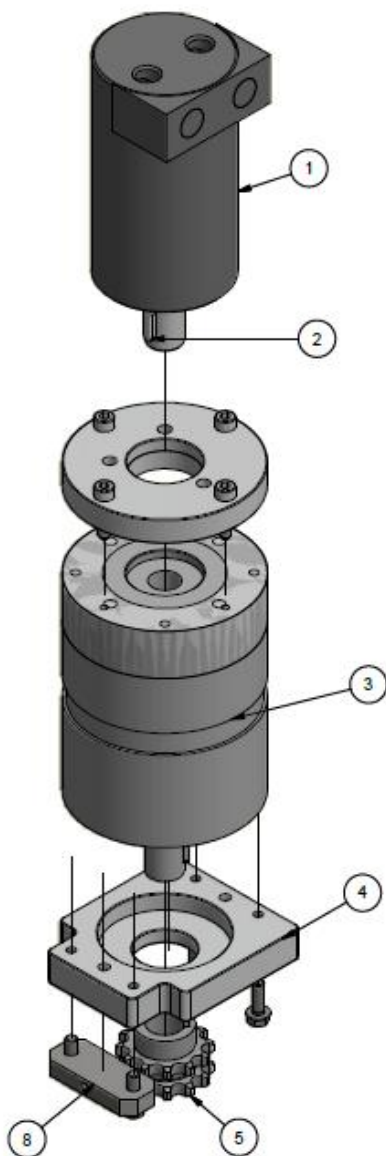
HAMMER CARRIAGE



PART NO.	ART. NO.	DESCRIPTION
1	50101160	Accumulator
2	50101122	Bottom part hammer
3	50101049-26	Retainer f. 26 mm probe
4	50101043	Spacer ring
5	50101044	Slide bearing
6	50101045	Sprocket f. rotation, 30 teeth
7	50101007	Lock washer
8	50101006	Nut, M60x2 mm
-	19101001-1,5	Probe 26 mm, 1.5 g
-	19101001-2,0	Probe 26 mm, 2.0 g
-	19101001-2,5	Probe 26 mm, 2.5 g

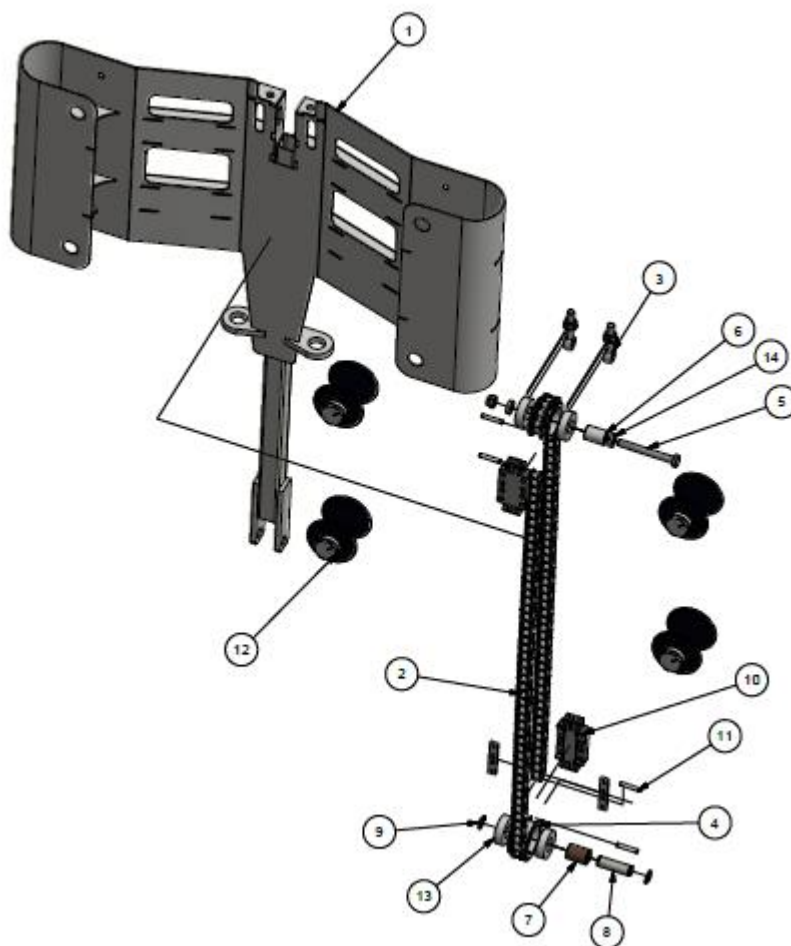


HAMMER CARRIAGE



PART NO.	ART. NO.	DESCRIPTION
1	50101057	Oil motor
2	50101048	Parallel key
3	50101056	Planetary gear
4	50101060	Bottom plate hammer carriage
5	50101046	Gearwheel f. rotation, 12 teeth
6	50101009	Chain f. rotation
7	50101012	Chain joint
8	50101173	Chain tensioner

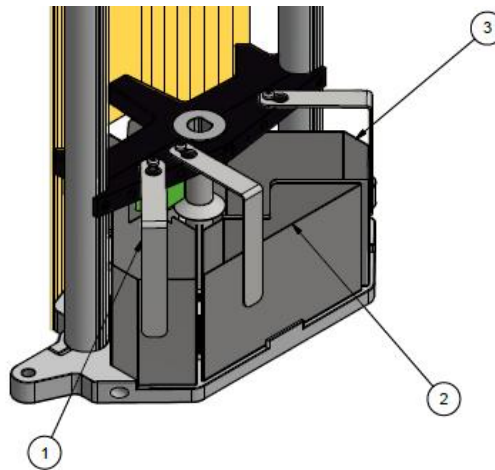
CARRIAGE



PART NO.	ART. NO.	DESCRIPTION
1	19101127	Carriage
2	19101128	Chain to guide
3	50101129	Eye screw
4	50101214	Chain pulley without bearing
5	60101131	Bolt, M8x70 mm
6	50101171	Bushing f. upper chain pulley
7	50101215	Bushing f. lower chain pulley
8	50101177	Pin for lower chain pulley
9	50101178	Lock ring f. chain pulley pin
10	50101175	Chain retainer
11	50101176	Chain assembly set (1 spike, 2 splints)
12	50101038	Guiding roll
13	50101233	Bearing f. chain pulley
14	60101058	Washer, M8 mm
-	50101174	Plate w. thread f. chain retainer
-	50101172	Chain pulley with bearing

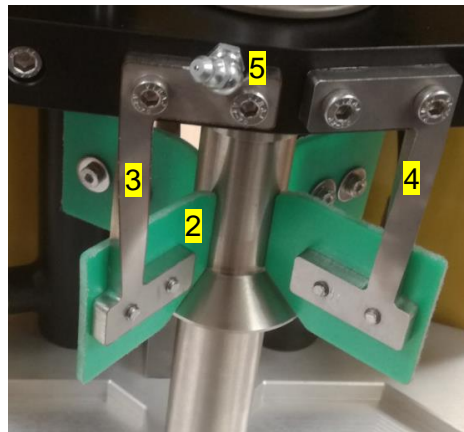
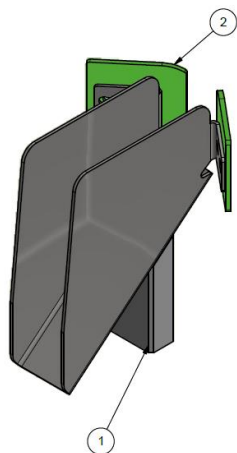


SOIL BOXES



PART NO.	ART. NO.	DESCRIPTION
1	19101010	Soil box left
2	19101011	Soil box middle
3	19101012	Soil box right

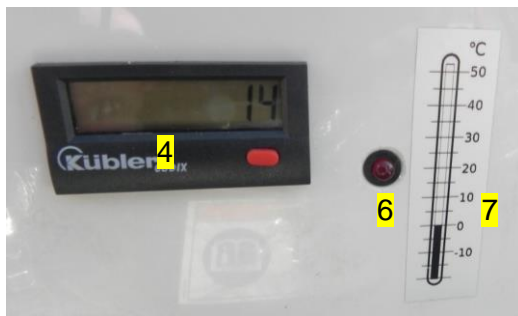
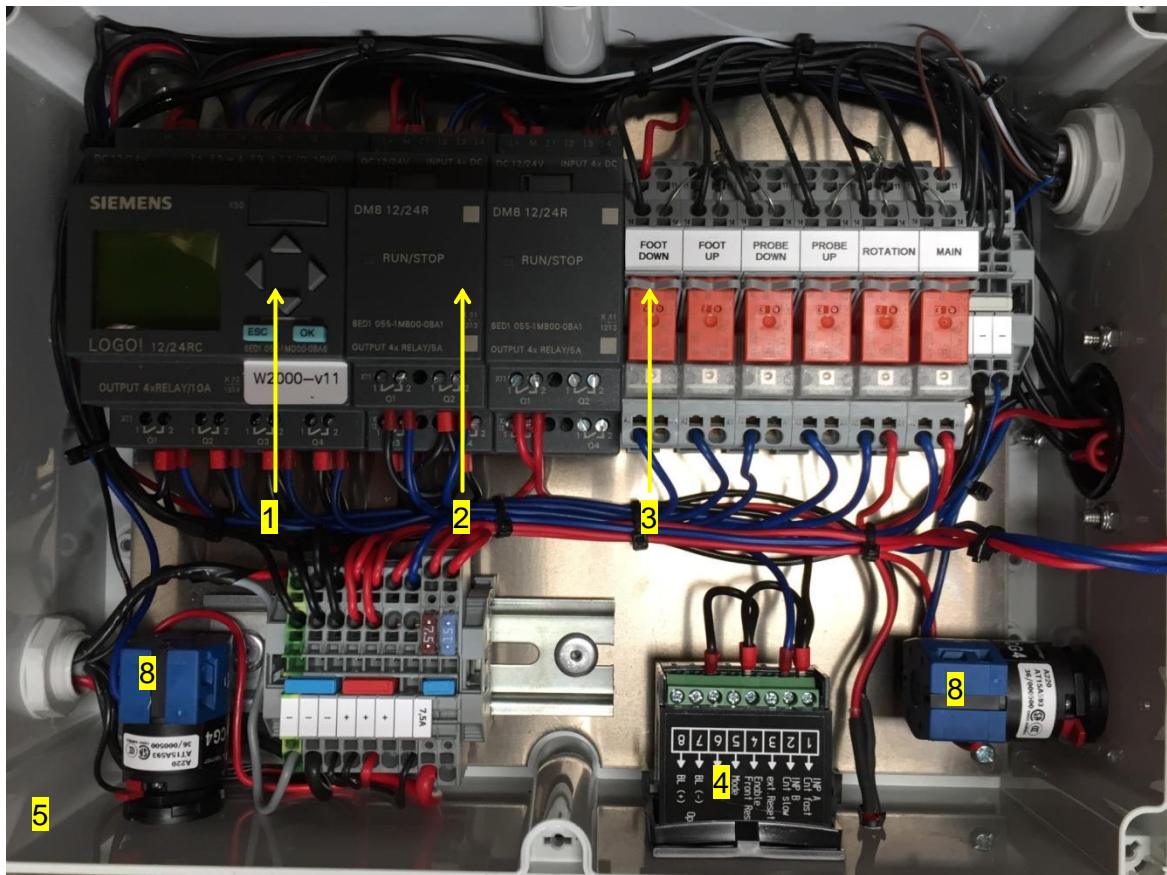
FUNNEL FOR EMPTYING



PART NO.	ART. NO.	DESCRIPTION
1	19101013	Retainer f. emptying
2	50101014	Scraper blade
3	19101125	Retainer f. scraper blade, left
4	19101126	Retainer f. scraper blade, right
5	50101181	Grease nipple



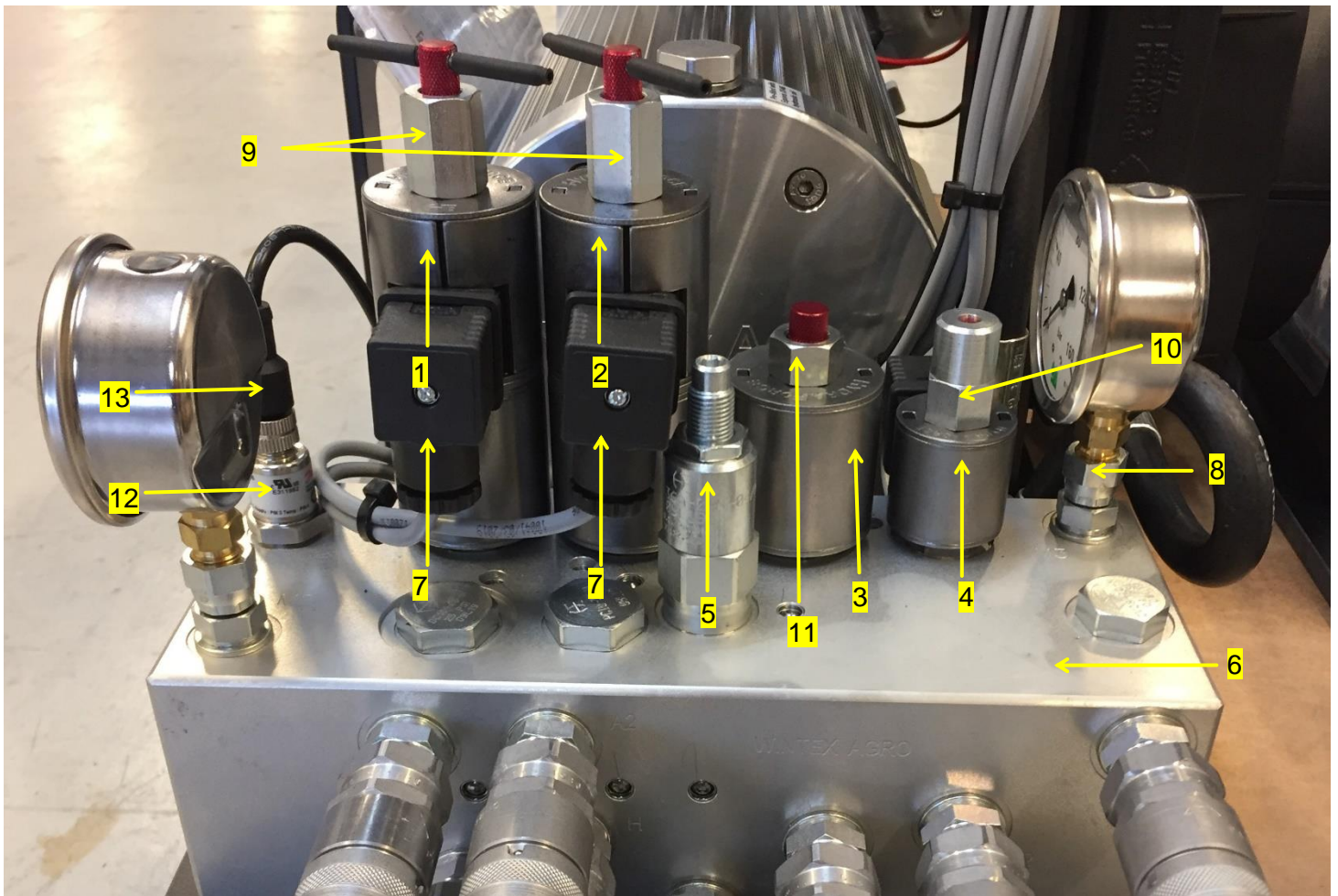
ELECTRICITY BOX



PART NO.	ART. NO.	DESCRIPTION
1	19101072	PLC-logo w. programme
2	50101073	Logo extension
3	15101154	Relay, 16 amp
4	15101084	Counter
5	19101076	Electricity box, complete
6	50101151	Temperature warning light
7	50101152	Label thermometer
8	15101183	Switch f. rotation, switch 1-2
9	15101182	Switch 1-2-3



HYDRAULIC BLOCK WITH VALVES



PART NO.	ART. NO.	DESCRIPTION
1	50101078	Valve coil lowering frame up/down
2	50101079	Valve coil probe up/down
3	50101080	Valve coil f. rotation
4	50101081	Valve coil f. main valve
5	50101082	Adjustable valve f. probe/hammer
6	50101083	Valve block
7	50101084	3-pole plug
8	15101252	Manometer connection
9	50101187	Valve f. probe/hammer
10	50101188	Main valve
11	50101189	Valve f. rotation
12	50101157	Transducer
13	50101158	Plug and cable f. transducer



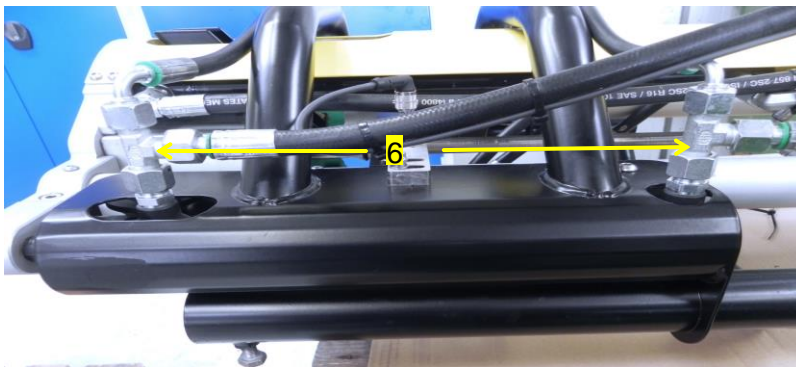
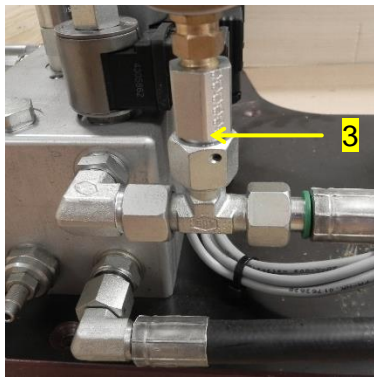
HYDRAULIC PUMP WITH TANK



PART NO.	ART. NO.	DESCRIPTION
1	50101086	Aluminium pipe f. oil tank
2	50101229	Oil level rod w. filter cap, large
3	50101154	Pipe for refilling of oil
4	50101090	Cap f. excess-pressure valve
5	50101053	Oil pump 6,0 CC
6	50101198	Return filter 3/8"
7	60101054	Insex-bolt, M6x40 mm
8	50101058	Excess-pressure valve
9	50101183	Oil strainer f. f. hydraulic pump
10	15101149-1	Flange f. Honda engine 20x50 mm EU
	15101149-2	Flange f. Honda engine 3/8"x50 mm US
11	15101150-1	Motor coupling f. engine 20 mm EU
	15101150-2	Motor coupling f. engine 3/8" US
12	15101184	Motor coupling f. hydraulics
13	50101155	Plate f. oil tank front
14	50101156	Plate f. oil tank back
15	50101190	Compact laminate f. GX200 engine
16	60101267	Insex-bolt, low head, M8x40
	15101195	Gasket bolt f. oil tank
17	50101180	Plug
18	14101057	Gasket sealer, 200 ml



HYDRAULICS



PART NO.	ART. NO.	DESCRIPTION
1	50101067	Manometer 0-160 bar
2	15101144	Manometer 0-60 bar
3	50101071	Valve shut-off
4	50101092	Female coupling, flatface 3/8"
5	50101093	Male coupling, flatface 3/8"
6	50101096	T-adaptor w. compression nut



HYDRAULIC HOSES



PART NO.	ART. NO.	DESCRIPTION
1	50101097	Hose A1 , 820 mm
2	50101094.	Hose A2 , 1600 mm, new type, 2 cyl.
	50101098	Hose A2 , 1600 mm, old type, 1 cyl.
3	50101099	Hose B1 , 1080 mm
4	50101100	Hose B2 , 1100 mm, old type, 1 cyl.
	50101095	Hose B2 , 1100 mm, new type, 2 cyl.
5	50101101	Hose f. Jack cylinder
6	50101102	Hose A3 , 1640 mm
7	50101103	Hose B3 , 1700 mm
8	50101104	Hose H , 1730 mm
9	50101105	Hose T2 , 1640 mm
10	50101106	Hose P , 780 mm
11	50101169	Radiator w. fan 12V
12	50101167	Hose f. radiator, 285 mm



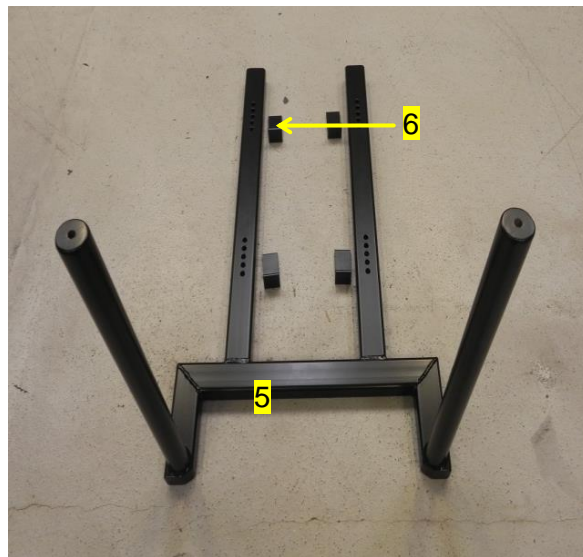
ELECTRICITY AND ENGINE



PART NO.	ART. NO.	DESCRIPTION
1	50101108	13-pole female plug
2	50101109	13-pole male plug
3	15101080	Emergency stop
4	50101111	4-wire cable
5	50101112	12 V cable
6	15101060	Start switch f. ATV
7	15101061	Foot switch
8	15101273	Fitting f. foot switch
9	50101116	Diode
10	50101117	Honda GX200 engine
11	50101165	Remote control
12	50101197	Extended remote control



VARIOUS PARTS



PART NO.	ART. NO.	DESCRIPTION
1	15101132	Funnel f. filling of bags
2	15101129	Tower support
3	50101120	Wintex special spanner
4	19101121	Label Wintex 3000
5	50101136	Mounting frame
6	50101091	Fitting f. mounting frame